

Steam Solutions

Optimize Operations & Energy Efficiency

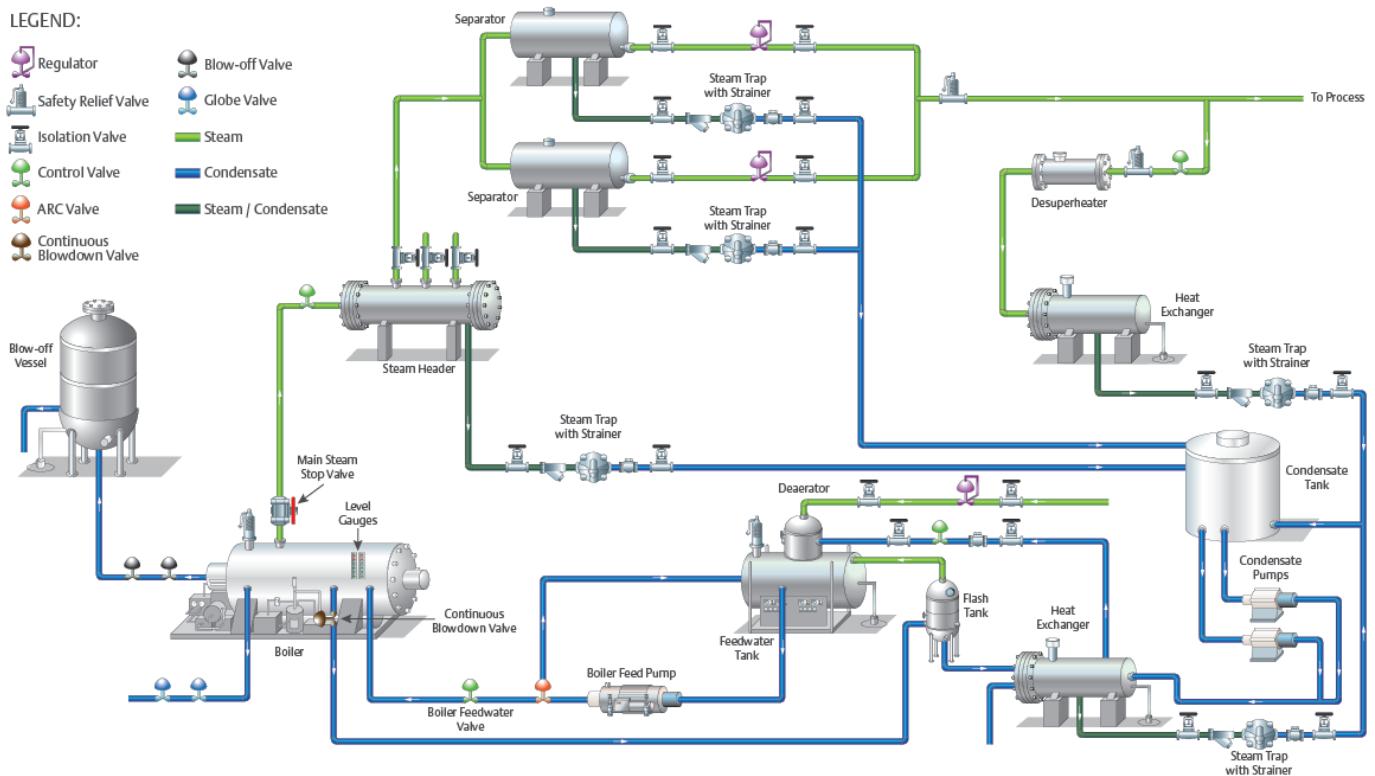
Steam is the lifeblood of your process. Often an overlooked and neglected utility, the steam system holds the key to improved equipment reliability, improved process efficiency, reduced energy costs, reduced emissions, and ultimately increased profitability.

Let us help you unlock the potential of your steam system. With nearly 60 years in the industry, Applied Control combines our steam experts, Emerson's wide product portfolio, local service, and a consultative approach to evaluate your plant and to help you achieve real results.

Steam Application Map

LEGEND:

- Regulator
- Safety Relief Valve
- Isolation Valve
- Control Valve
- ARC Valve
- Continuous Blowdown Valve
- Blow-off Valve
- Globe Valve
- Steam
- Condensate
- Steam / Condensate



0352756012 © 2018 Emerson Process Management Regulator Technologies, Inc. All rights reserved. 03/18. The Emerson logo is a trademark and service mark of Emerson Electric Co. All other marks are the property of their respective owners.

Applied Control
13705 Compark Blvd
Englewood, CO 80112
appliedcontrol.com
303-799-9300

APPLIED CONTROL
Emerson Impact Partner

EMERSON

Products

Steam Traps

- Yarway Float & Thermostatic Steam Traps
- Yarway Process Thermostatic Steam Traps
- Yarway Process Thermodynamic Steam Traps
- Yarway Universal Steam Traps
- Yarway Drip & Tracer Steam Traps
- Yarway Bimetallic Steam Traps
- Yarway Series 900 Wye Type Strainer

Boiler Level Instrumentation

- Yarway ColorPort Water Level Gauges
- Yarway Series 4300N/4600N Liquid Level Gauge
- Penberthy Magnetic Liquid Level Gauges
- Yarway Electronic Level Indication
- Penberthy Flat Glass Gagecocks & Gages
- Yarway ARC Pump Protection Valves
- Penberthy Series LL, LM, LH, GL, GH Jet Pumps

Boiler Trim Valves

- Yarway Welbond High Pressure Globe Valves
- Yarway Blow-off Valves
- Yarway Series 5500 Globe Valves
- Yarway Series 5525/5535 Globe Valves
- Yarway Series 5505 Blowdown Globe Valves
- Yarway Hy-Drop Throttling Valves

Steam Conditioning & Desuperheating

- Fisher Desuperheater Control Valve
- Fisher Attemporator Control Valves
- Yarway Steam Control Valves

Additional Steam Solutions

- Fisher Control Valves
- Fisher Regulators
- Steam & Condensate Isolation Valve
- Pressure Relief & Safety Valves



ANDERSON GREENWOOD™

CROSBY™

FISHER™

KEYSTONE™

KTM™

PENBERTHY™

SEMPELL™

VANESSA™

YARWAY

Services

- Steam, Condensate, Compressed Air System Walk-downs
- Steam Trap Surveys
- Energy Audits (steam, condensate, and compressed air systems)
- Safety Relief Valve Testing and Repair
- Online Steam Trap and Safety Relief Valve Monitoring
- Valve Repair
- Boiler Trim and Gauge Glass Replacement and Repair
- Asset Performance Monitoring
- Equipment Reliability Monitoring
- Heat Exchanger Repair
- Commissioning and Startup Support
- Boiler Efficiency Improvements
- BMS Packages
- 24/7 Emergency Support

Applied Control
13705 Compark Blvd
Englewood, CO 80112
appliedcontrol.com
303-799-9300

